



USER GUIDE GAIM COMPACT

GAIM

IMMERSIVE
TECHNOLOGY
GROUP
a part of Aimpoint

Experience the thrill of sharper hunting instincts

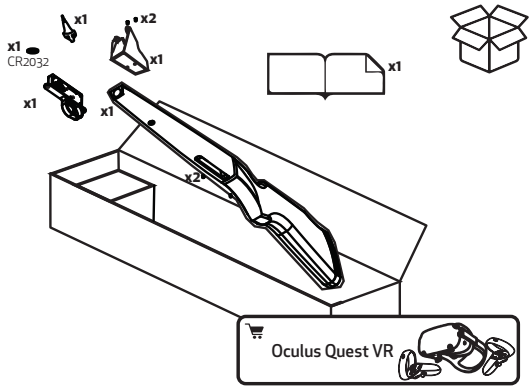
The GAIM VR simulator was developed to help you prepare for the intensity of a **real-life hunting situation**. The more you train, the better and faster your decisions will be in the moment of truth. Practicing your skills will define you as a hunter... believe us, we know what we are talking about.

The GAIM VR simulator was **made by hunters for hunters**. Years of experience have gone into shaping a simulated experience true to the reality of a hunter – from anatomically correct animals to the hand-crafted rifle.

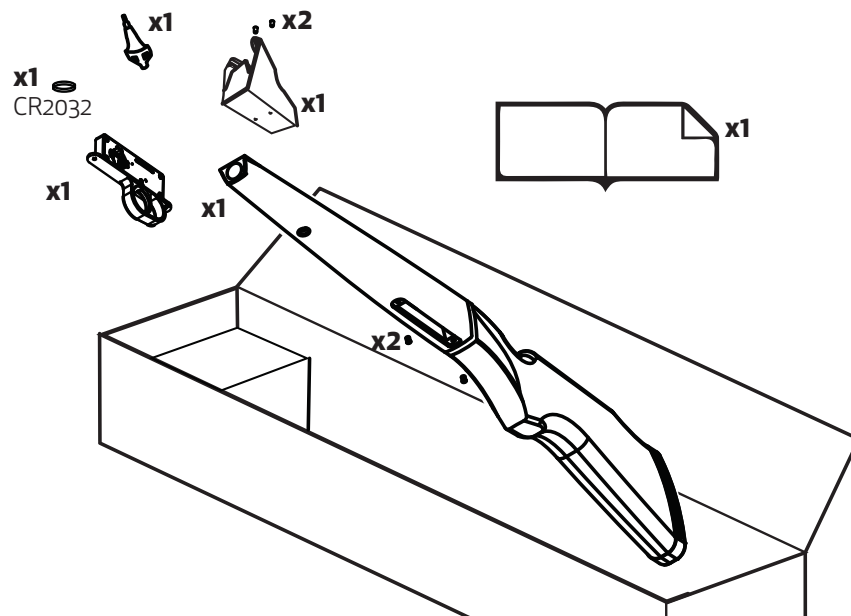
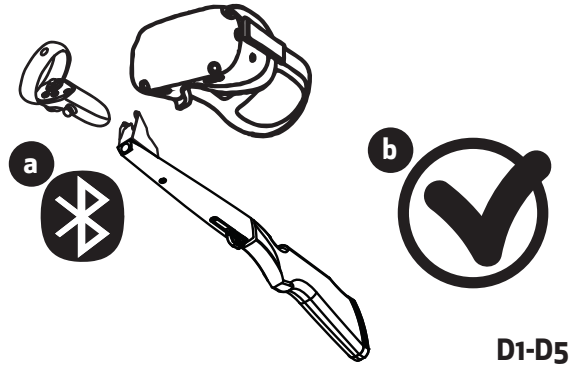
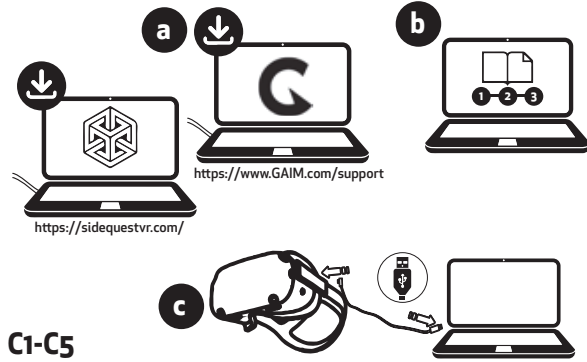
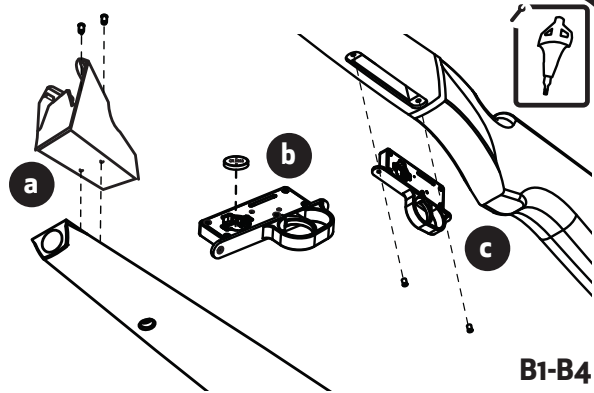
Take your marksman skills to the next level and get **Ready for reality®**.

© 2020 GAIM, A COMPANY PART OF AIMPOINT
User Guide GAIM Compact - Version: 1.0 EN - Release date: 20200916





A1

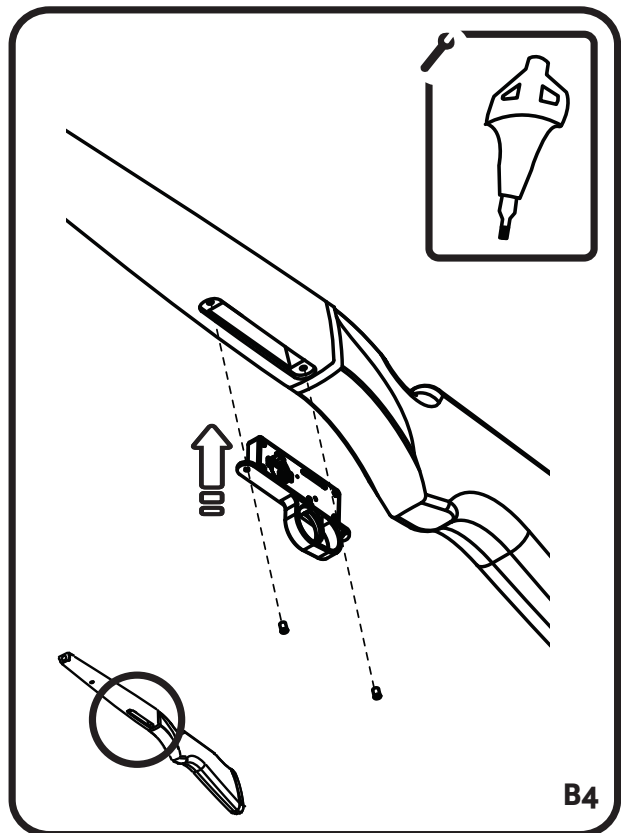
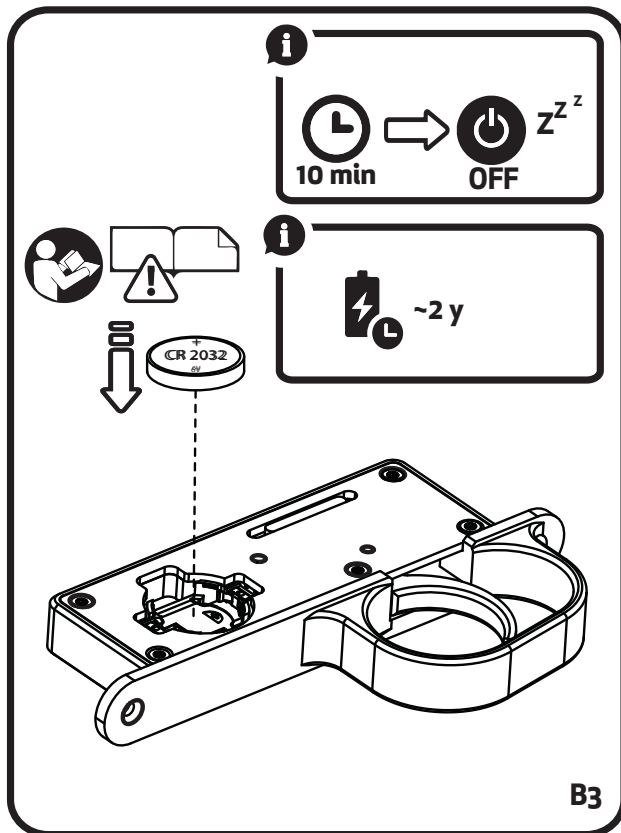
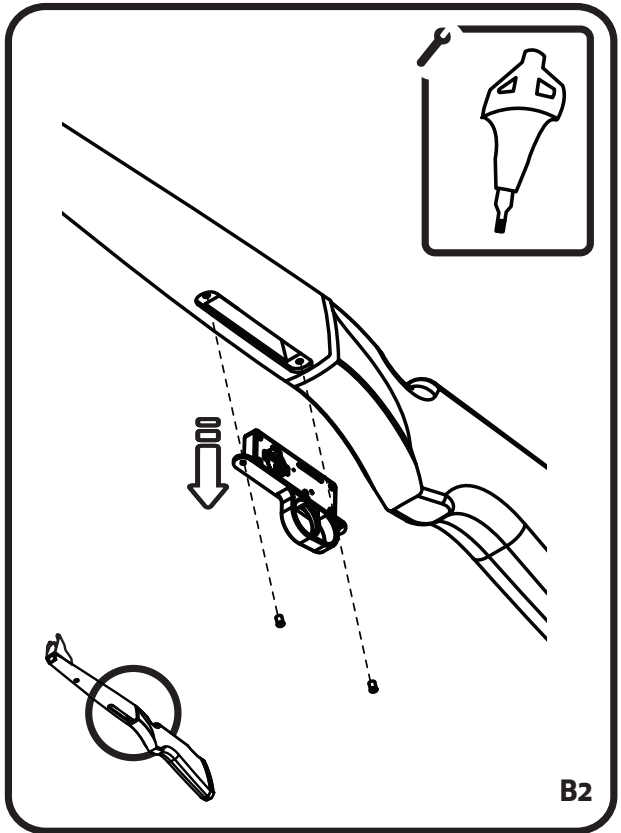
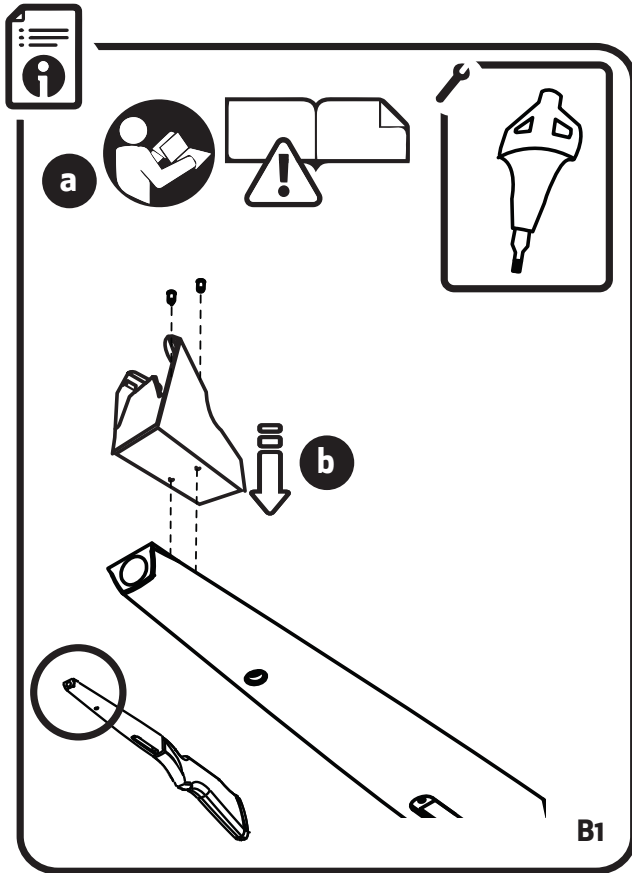


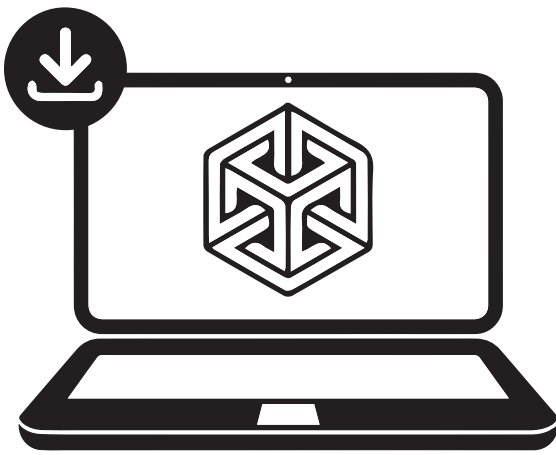
A1





Oculus Quest VR







<https://sidequestvr.com/>

C1




<https://www.gaim.com/support>




C2



a



b

Tue 01/01/2020 11:20

GAIM
Payment Confirmation

To: User.User@emailaddress.com

Payment Confirmation


Hei User!

Your licence key: "#####"

Best regards,

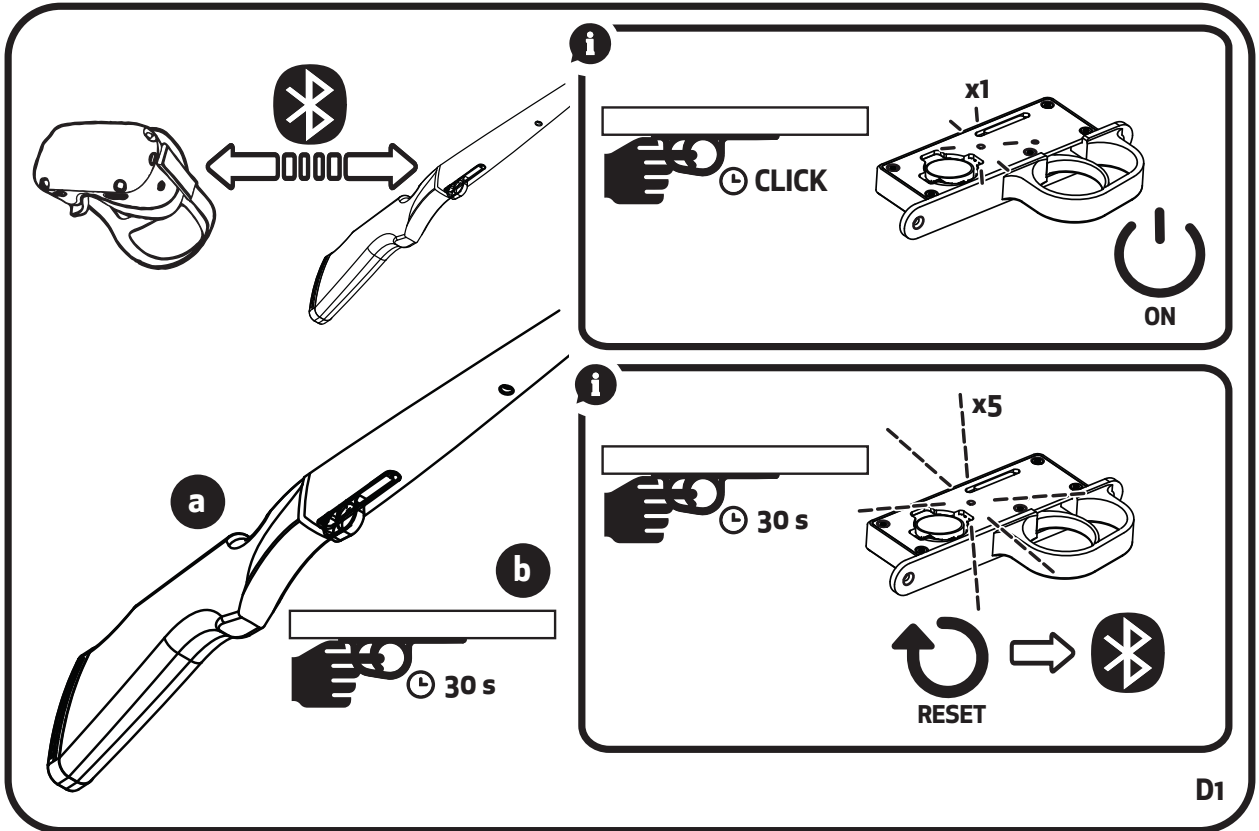
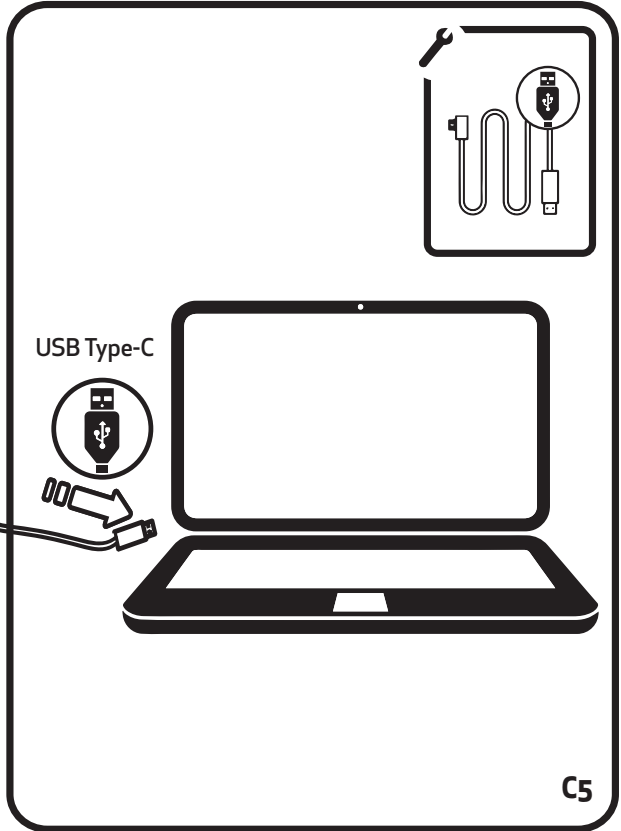
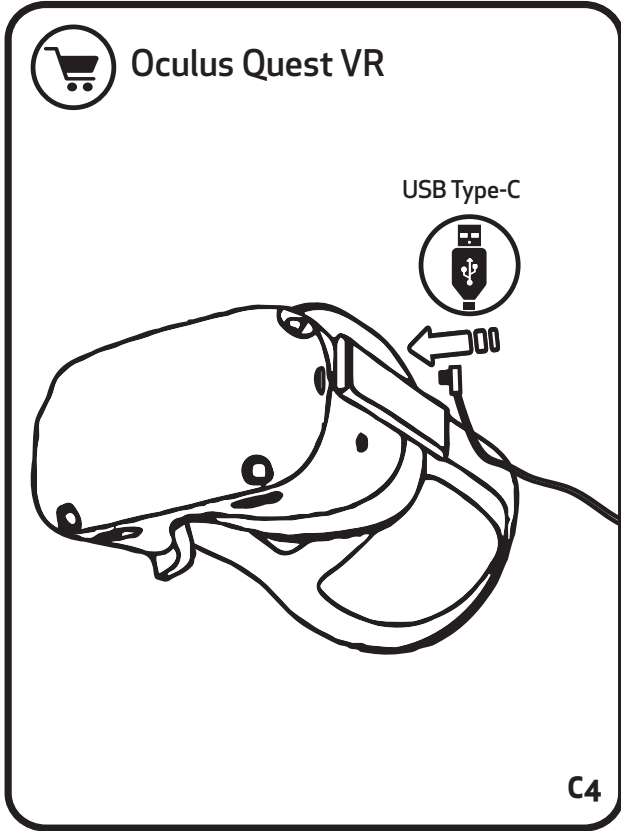
Gaim

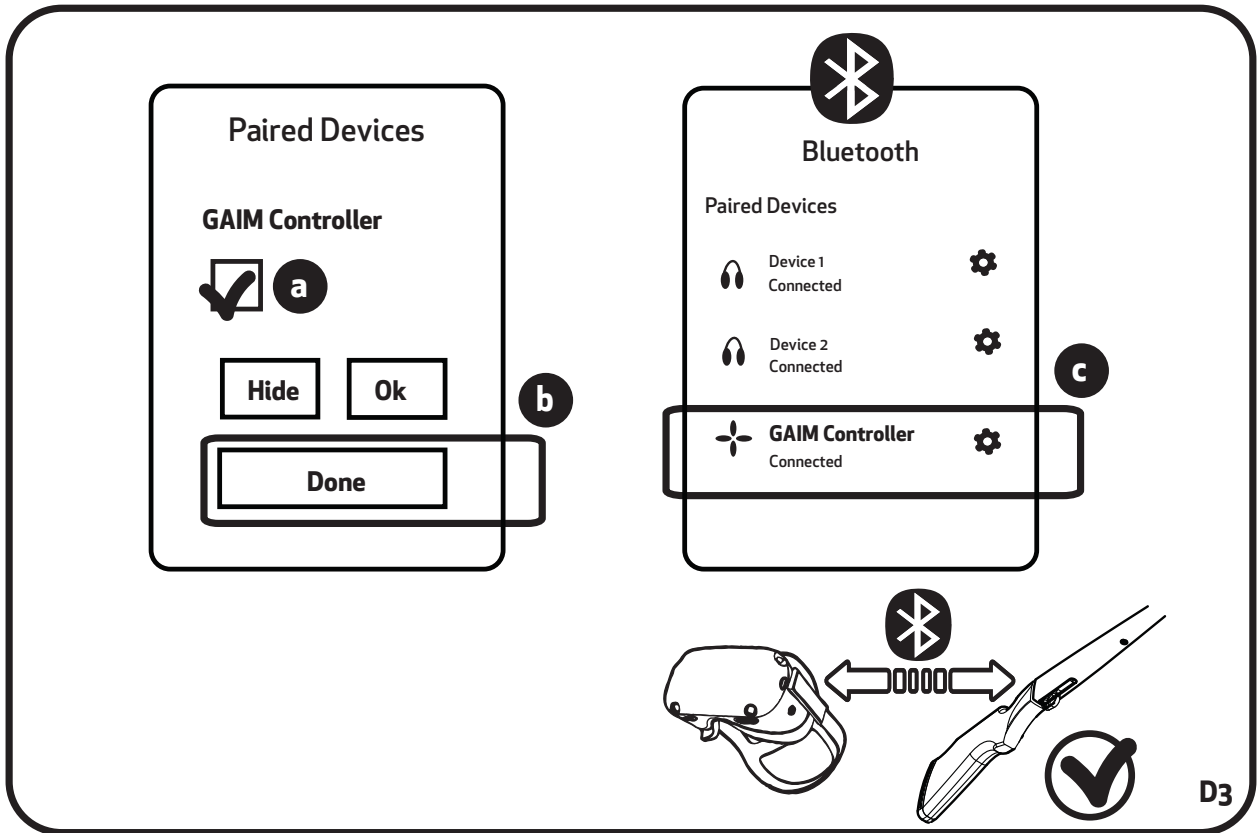
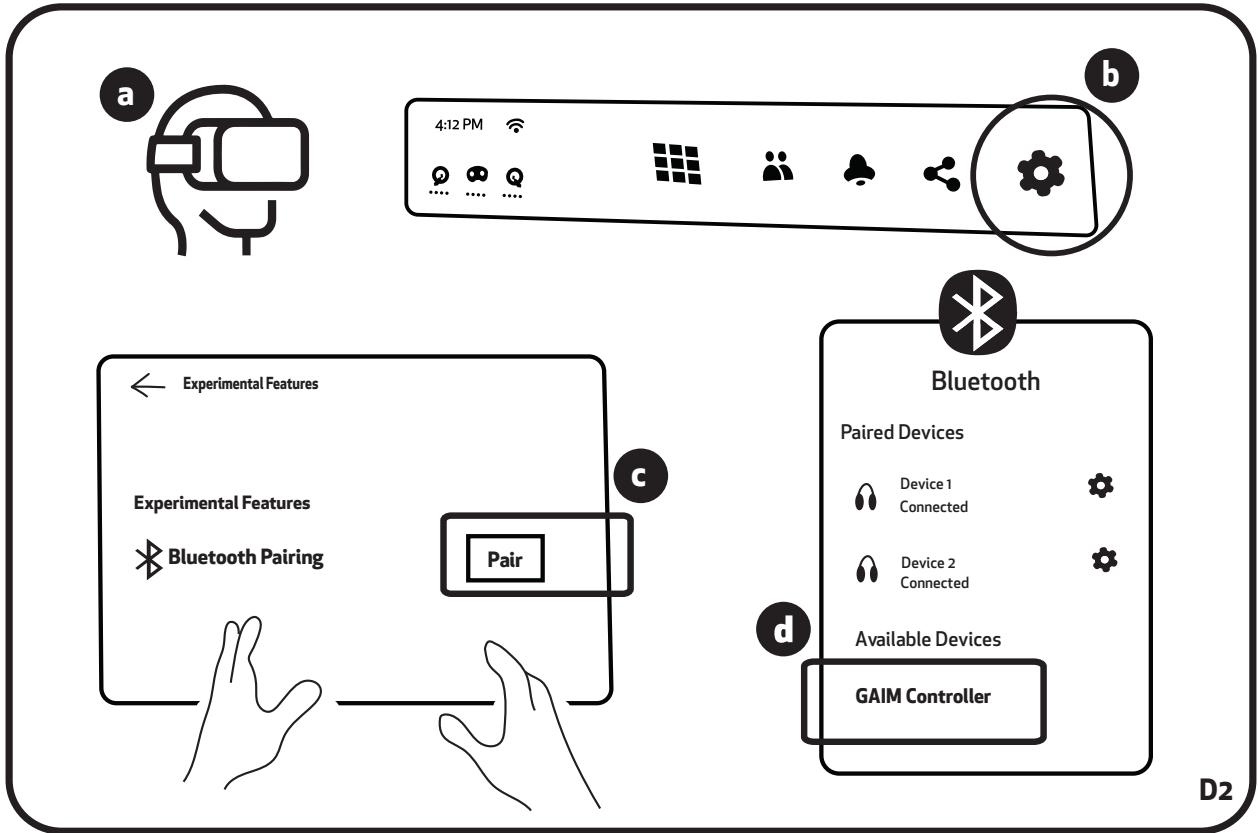
c

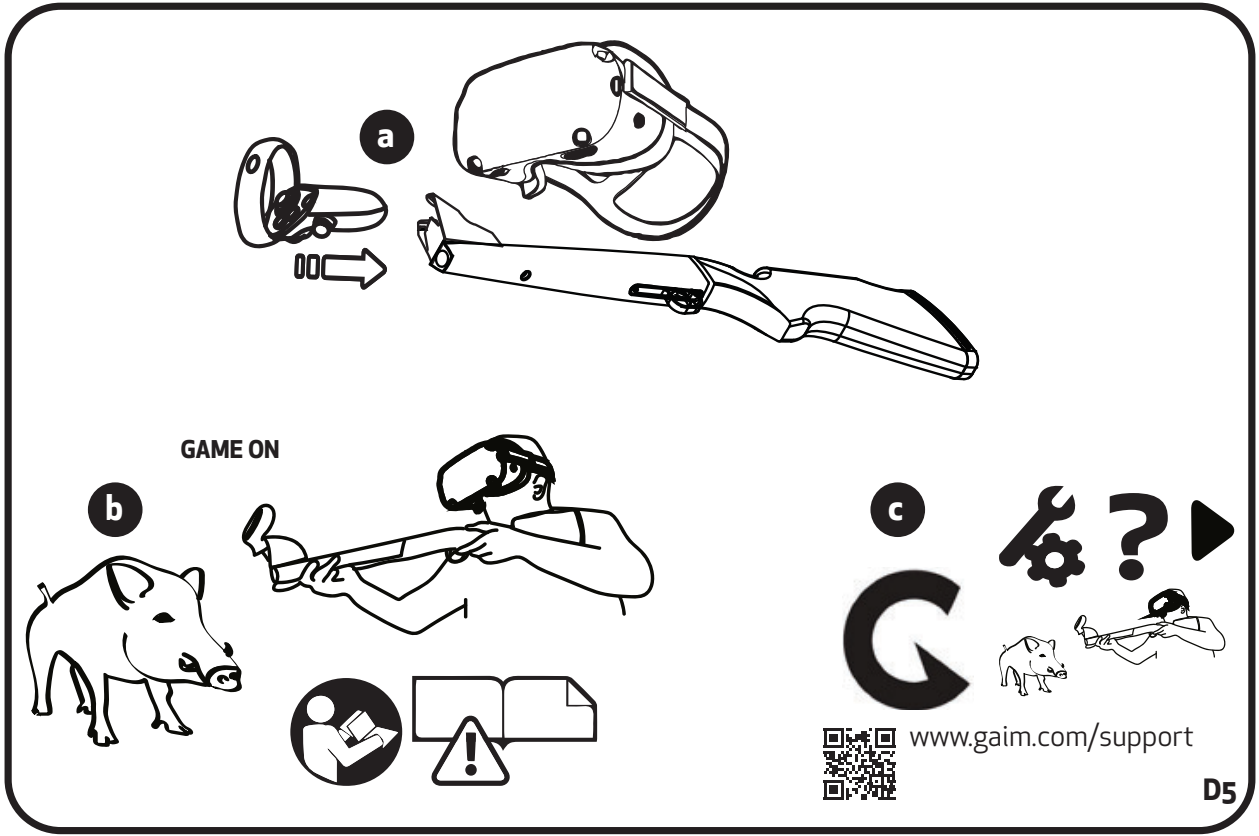
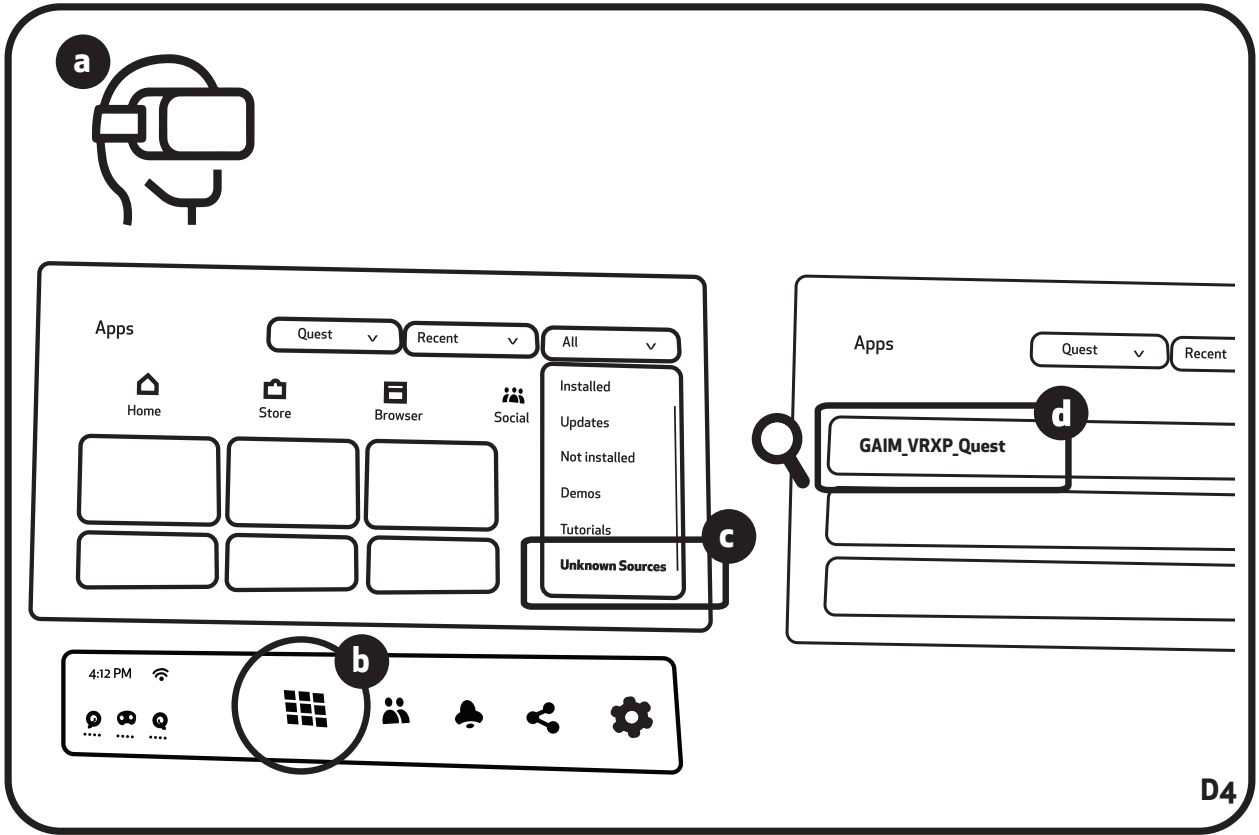


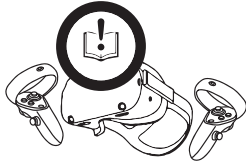
C3











WARNING! Prior to using your GAIM, please observe all safety warnings by Oculus regarding your Oculus Quest headset: <https://www.oculus.com/legal/health-and-safety-warnings/>



Please read the warnings below carefully before using the GAIM virtual reality system (the “Product”) and follow all Product safety and operating instructions included in your GAIM kit to reduce the risk of personal injury, discomfort or property damage.

Use of this Product is at your own risk. GAIM Immersive Technology Group AB does not provide supervision and does not accept responsibility for any personal injuries, illness, death, loss, damage (to property or otherwise), expenses incurred or any other claim whatsoever that may arise from your use of this Product.



Proper Setup:

- Read and follow all setup and operating instructions that come with the Product components to ensure proper configuration prior to use.
- Do not disassemble or make any unauthorized alterations to the Product components.
- Do not attempt to utilize the Product for anything other than its intended application.



Use by Children:

- This product contains small parts which may be a choking hazard. Not suitable for children under age 3.
- Adults who permit children to use this Product should monitor them closely for any negative effects during and after their use and should also ensure that children avoid prolonged use of the Product. Do not allow the continued use of this Product if negative effects are observed.





Setting Up a Safe Environment:



• This Product is intended for indoor use only. It produces an immersive virtual reality experience designed to be as realistic as possible, which distracts you and blocks the view of your actual surroundings.



• Always be aware of your physical surroundings before using this Product. Ensure that you have sufficient open space.



• Be aware that viewing your use of this Product could cause alarm to outside observers.

• Safety grids are provided within the Product's virtual environment. Do not violate or exceed the area outside of these safety grids while using the Product.



General Precautions:

• Stop using this Product if you notice any discomfort.

Battery Instructions and Warnings:



• Use only new CR-2032 lithium batteries with this Product.

• Do not mix used batteries or other battery types or install batteries backwards.

• Do not place batteries in a pocket, purse, or other container containing metal objects, or store along with hazardous or combustible materials.



• Do not expose products containing batteries to excessive heat (e.g. direct sunlight, fire, etc.).

• Always store batteries in a cool, dry, and ventilated area.

• Follow all local laws regarding safe disposal of used batteries.



Regulatory Information

GAIM VR QH1 operates using Bluetooth® in the 2.4GHz license-free frequency band.

Europe

This product is intended for indoor use only.

This product complies with the applicable CE marking directives and harmonized standards.

- Radio Equipment Directive (RED) 2014/53/EU
- Restrictions of Hazardous Substances (RoHS) Directive 2011/65/EU

A copy of the original declaration of conformity may be obtained from GAIM Immersive Technology Group AB.

Electromagnetic compatibility (EMC)

This equipment has been designed and tested to fulfil applicable standards for:

- Radio frequency emission when installed according to the instructions and used in its intended environment.
- Immunity to electrical and electromagnetic phenomena when installed according to the instructions and used in its intended environment.



Regulatory Information

USA

Contains FCC ID: XPYANNAB1

This device complies with part 15 of the FCC Rules. Operation is subject to the following two conditions:

(1) This device may not cause harmful interference, and,
(2) this device must accept any interference received, including interference that may cause undesired operation. This equipment has been tested and found to comply with the limits for a **Class B digital device, pursuant to Part 15 of the FCC Rules**. These limits are designed to provide reasonable protection against harmful interference in a residential installation. This equipment generates, uses and can radiate radio frequency energy and, if not installed and used in accordance with the instructions, may cause harmful interference to radio communications.

However, there is no guarantee that the interference will not occur in a particular installation. If this equipment does cause harmful interference to radio or television reception, which can be determined by turning the equipment off and on, the user is encouraged to try to correct the interference by one or more of the following measures:

- Reorient or relocate the receiving antenna
- Increase the separation between the equipment and receiver
- Connect the equipment into an outlet on a circuit different from that to which the receiver is connected.
- Consult the dealer or an experienced radio/TV technician for help.

Caution Any changes or modifications NOT explicitly APPROVED by GAIM Immersive Technology Group AB may void the user's authority to operate the equipment.



Regulatory Information

Canada

Contains IC: 8595A-ANNAB1

This device complies with Industry Canada license-exempt RSS standard(s). Operation is subject to the following two conditions:

- (1) This device may not cause interference; and,
- (2) this device must accept any interference, including interference that may cause undesired operation of the device

RF Exposure information

IC compliance

This equipment complies with the requirements of **IC RSS-102 issue 5 radiation exposure limits** set forth for an uncontrolled environment. Having a separation distance of minimum 10mm between the user and/or bystander and the antenna/or radiating element ensures that the output power (e.i.r.p) of GAIM VR QH1 is below the SAR evaluation exemption limits defined in RSS-102 issue 5.

FCC compliance


This device complies with the radiation exposure limits set forth for an uncontrolled environment. The maximum output power of GAIM VR QH1 is below the SAR test exclusion limits presented in KDB 447498 D01v06 applicable for separation distances between 0 and 5 mm. Therefore, SAR evaluation is not needed.



Disposal and recycling

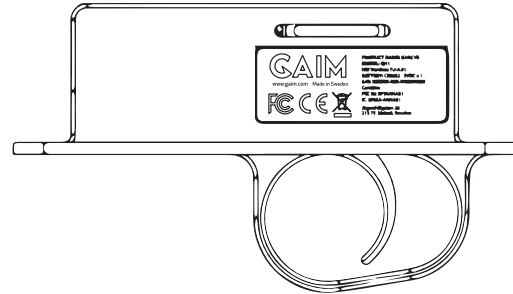
When this product has reached the end of its useful life, dispose of it according to local laws and regulations. For information about your nearest designated collection point, contact your local authority responsible for waste disposal. In accordance with local legislation, penalties may be applicable for incorrect disposal of this waste.

Europe

 This symbol means that the product shall not be disposed of together with household or commercial waste. Directive 2012/19/EU on waste electrical and electronic equipment (WEEE) is applicable in the European Union member states. To prevent potential harm to human health and the environment, the product must be disposed of in an approved and environmentally safe recycling process. For information about your nearest designated collection point, contact your local authority responsible for waste disposal. Businesses should contact the product supplier for information about how to dispose of this product correctly. This product complies with the requirements of Directive 2011/65/EU on the restriction of the use of certain hazardous substances in electrical and electronic equipment (RoHS).

Label information

The product label can be found on the back side of the trigger unit. To access the label, remove trigger unit from wooden stock by unscrewing the two screws holding the trigger unit in place.



Contact information is available on www.gaim.com

Warranty

This Warranty covers defects and malfunctions in the GAIM product(s) it accompanies. We warrant that the GAIM product will, under normal and intended use, function substantially in accordance with our technical specifications or accompanying product documentation (the "Warranted Functionality") during the Warranty Period.

If and to the extent the GAIM product needs GAIM software or services to achieve the Warranted Functionality, we will make and keep software and services available during the Warranty Period. We may update, modify or limit such software and services in our sole discretion so long as we continue to maintain (or exceed) the Warranted Functionality. Product registration is not required as a condition to coverage under this Warranty, but GAIM products require periodic connection to an online GAIM account to ensure full functionality.

This limited Warranty continues for one (1) year from the date of purchase or delivery of the GAIM product, whichever is later (the "Warranty Period"). However, if you purchase the Product from within the EU or EFTA, the Warranty Period shall be two (2) years.

Disclaimer

GAIM assumes no responsibility or liability for any errors or omissions in the content of this document, nor any of its web sites. The information contained in this document is provided on an "as is" basis with no guarantee of completeness, accuracy, usefulness or timeliness and may be subject to alterations without notice.



www.gaim.com/support



GAIM Immersive Technology Group AB
Jägershillgatan 26
213 75 MALMÖ, SWEDEN

© 2020 GAIM, A COMPANY PART OF AIMPOINT